

OUTSTANDING AFTER SALES FOR CAREFREE MOTORING

More than 2500 Mitsubishi Motors Authorised Service Points in Europe are committed to helping you wherever you are.

PROFESSIONAL SERVICING

Even new cars require regular maintenance and servicing. Not just to guarantee your mobility, but also for the safety of you and your passengers. Trained professionals using specialist diagnostic equipment and original parts at your Mitsubishi Authorised Service Point are ready to oblige. You'll be advised about the cost beforehand, so there will be no unpleasant surprises when you return to pick up your vehicle.

MITSUBISHI MOTORS GENUINE PARTS

Even the smallest technical faults can lead to accidents. Therefore, all Mitsubishi Motors genuine parts have been developed and tested to stringent quality standards. It is recommended to use Mitsubishi Motors Genuine Parts in order to maintain the safety and integrity of your vehicle and that of your passengers. Mitsubishi Motors Genuine Parts are available at all Mitsubishi Authorized Service Points. We are proud to regularly score top in After Sales quality surveys.

COMPREHENSIVE WARRANTY – OBVIOUSLY

All new Mitsubishi vehicles come standard with a comprehensive 3-year warranty up to a maximum of 100,000 km (61,000 miles), whichever comes first. The anti-corrosion perforation warranty covers rusting through for the first 12 years, depending on the model you purchase. The reliability statistics for Mitsubishi vehicles are impeccable, but in the unlikely event that you do need help, we offer MAP.



MAP - FREE BREAKDOWN ASSISTANCE

In order to demonstrate our commitment to your mobility and the faith we have in the reliability of our vehicles, you will receive a free MAP card valid for three years with your new Mitsubishi. MAP stands for

Mitsubishi Motors Assistance Package, and with the MAP card in your pocket, your mobility is guaranteed in more than 30 countries throughout Europe. Should you ever need assistance in the event of breakdown, accident, theft or vandalism – wherever you are, 24 hours a day, 7 days a week – just call the number on your card and the problem will be fixed on the spot. If it's more serious, your car will be taken to the nearest Mitsubishi dealer and you'll be offered services such as a hotel, continuation of journey, a replacement car and vehicle repatriation. And if you continue to have your vehicle serviced at a Mitsubishi Authorised Service Point after the first three years, your mobility will be guaranteed for an additional year or up to the next service interval (whichever comes first) until your vehicle is 10 years old.

DRIVESTYLE

Accessories by Mitsubishi Motors - everything's got "Drivestyle". They are the perfect products for your car's individuality. It's the style that goes with the sensation. Drivestyle is the individual enhancement of your Mitsubishi. It covers all your car care needs: from Wax Shampoo and Polish to Wheel Rim Gel, from Cockpit Lotion to Leather Treatment and from Insect Remover to Screen Wash - all have been produced using new ingredients designed specifically for your new Mitsubishi. They'll ensure it looks, feels and smells brand new for years to come.

Please ask your Mitsubishi Authorised Sales/Service point for the Drivestyle Car Care brochure containing more detailed information.

Mitsubishi Motors Europe BV • www.mitsubishi-motors-europe.com

Some equipment may vary according to market. Please consult your local Mitsubishi Motors dealer/distributor for details. All rights reserved.

RECYCLING OF OLD VEHICLES

It is our duty to protect the environment. Mitsubishi Motors designs and produces high quality vehicles and components aiming to provide its customers with durable motor vehicles, and excellent services to maintain your vehicle in an optimum running condition. We have the highest respect for the environment and use materials which may be recycled and re-used after your Mitsubishi Motors vehicle has come to the end of its economical life. After a long working life we will take your vehicle back and recycle it in an environmentally friendly manner in accordance with the EU Directive on End-of-Life Vehicles and any applicable national statutory provisions.

All Mitsubishi Motors vehicles (up to 3.5t GVW) sold after 1st July 2002, will be taken back free of charge from the last owner, at one of the designated take back points, provided the vehicle contains all major components and is free of waste. From 1st January 2007, this applies to all Mitsubishi Motors vehicles irrespective of the sold date. A network of collection points is available to

receive Mitsubishi Motors End-of-Life Vehicles, to ensure your vehicle will be recycled in an environmentally friendly manner. At the same time, the possibilities for the recycling of vehicles and vehicle components are continually being evaluated and improved, aiming to the achievement of even higher recycling percentages in the future.

The European End-of-Life Vehicles Directive and the free take back of End-of-life Vehicles is applicable in all European Union member states. The transposition of the End-of-Life Vehicles Directive into National law in each member state might not have been completed at the time of putting this publication to print.

Please refer to www.mitsubishi-motors-europe.com and select the web site of the Mitsubishi Motors service network in your country of residence, or call the National Mitsubishi Motors Customer Assistance Center for further details.



THE NEW
COLT

CHOOSING THE EQUIPMENT LEVEL

INFORM



Key features

- Air-conditioning
- Remote central door locking
- Front power windows
- Front airbags (front seats)
- Height adjuster (driver's seat)
- Moveable load floor (5-door only)
- Electric and heated door mirrors
- ABS with EBD
- Emergency Stop signal System (ESS)
- "Coming home" light



INVITE



Key features

- 15" alloy wheels
- Radio/CD/MP3 player with 6 speakers and auxiliary plug
- Cruise control*
- Colour-keyed package
- Audio remote control and cruise control switches on steering wheel
- Leather steering wheel and shift knob
- Front side airbags

* Not available on 1.1 litre



CHOOSING THE EQUIPMENT LEVEL

INTENSE



Key features

- Rear spoiler
- 16" alloy wheels
- Privacy glass rear windows (5-door only)
- Front fog lamps
- Auto-light and rain sensor



INSTYLE



Key features

- Leather seats
- Seat heater (front seats)
- Rear power windows
- Height adjuster (driver's and front passenger's seat)



CHOOSING THE EQUIPMENT LEVEL

RALLIART



Key features

- Rear spoiler
- Side airdams
- Dark grey 16" alloy wheels
- Sporty exhaust finisher
- Aluminium pedals
- "Ralliart" badges and entry guards
- Unique combination meter
- Sporty front seats
- Curtain airbags
- Active Stability and Traction Control (ASTC)
- 4 disc brakes



CHOOSING THE EXTERIOR COLOUR AND SEAT MATERIAL



SPICY RED (S)



CRANBERRY RED (M)



SHADOW GREY (M)



GLAMOUR GREY (M)



SPARKLING BLACK (M)

(M) Metallic (S) Solid (P) Mica/Pearl

CHOOSING THE EXTERIOR COLOUR AND SEAT MATERIAL



ATLANTIS BLUE (P)



MINERAL BLUE (M)



LUNAR SILVER (M)



PORCELAIN WHITE (S)

CHOOSING THE EXTERIOR COLOUR AND SEAT MATERIAL



- 1 Black Fabric
- 2 Black/Grey Fabric
- 3 Black/Red Fabric
- 4 Black Leather
- 5 Black/Silver Fabric/Artificial Leather

Model	INFORM	INVITE / INTENSE		INSTYLE	RALLIART
Seats	Black Fabric	Black/Grey Fabric	Black/Red Fabric	Black Leather	Black/Silver Fabric/ Artificial Leather
Dashboard and door trim	Black	Black	Black	Black	Black
Interior trim	Dark Grey	Dark Grey	Dark Grey	Dark Grey	Dark Grey
Exterior colour					
1 Spicy Red (S) P04	■	■	■	■	■
2 Cranberry Red (M) P34	■	■	■	■	■
3 Atlantis Blue (P) T96	■	■	-	■	-
4 Mineral Blue (M) D09	■	■	-	■	-
5 Shadow Grey (M) U05	■	■	■	■	■
6 Glamour Grey (M) A98	■	■	■	■	■
7 Lunar Silver (M) A50	■	■	■	■	■
8 Porcelain White (S) W16	■	■	■	■	■
9 Sparkling Black (M) X62	■	■	■	■	■

■ Available - Not available

(M) Metallic (S) Solid (P) Mica/Pearl

The colours and materials shown are approximate and may differ slightly from the actual colours.

STANDARD AND OPTIONAL EQUIPMENT

■ Standard ○ Optional - Not available

Model		INFORM	INVITE	INTENSE	INSTYLE	RALLIART
Safety and Security	Anti-lock Braking System (ABS) with Electronic Brake-force Distribution (EBD)	■	■	■	■	■
	Driver's front SRS airbag	■	■	■	■	■
	Front passenger's airbag with switch-off function	■	■	■	■	■
	Front side airbags	-	■	■	■	■
	Curtain airbags	-	-	-	-	■
	Active Stability and Traction Control (ASTC)	-	-	-	-	■
	Rear disk brake	-	-	-	-	■
	Safety package: Active Stability and Traction Control (ASTC), curtain airbags, rear disk brake and 4 assist grips	-	○	○	○	-
	Front 3-point ELR seatbelt with force limiter and pretensioners	■	■	■	■	■
	Rear 3-point ELR/ALR seatbelt (ELR for centre)	■	■	■	■	■
	Seatbelt reminder	■	■	■	■	■
	Fire retardant materials	■	■	■	■	■
	Electronic immobilizer	■	■	■	■	■
	Front and rear side door with impact bars	■	■	■	■	■
	Brake fluid level sensor and warning indicator	■	■	■	■	■
	Door ajar warning lamp	■	■	■	■	■
	Emergency triangle provision	■	■	■	■	■
	First aid kit provision	■	■	■	■	■
	Child protection rear door locks	■	■	■	■	■
	ISO-FIX CRS anchors x2	■	■	■	■	■
Emergency Stop signal System (ESS)	■	■	■	■	■	
Exterior	15" wheels with full wheel cover with 195/50R15 82H tyre	■	-	-	-	-
	15" alloy wheels with 195/50R15 82H tyre	-	■	-	-	-
	16" alloy wheels with 205/45R16 83H tyre	-	-	■	■	-
	Dark grey 16" alloy wheels with 205/45R16 83V tyre	-	-	-	-	■
	Tyre repair kit	■	■	■	■	-
	Spare T115/70D15 tyre including tool set and jack	-	-	-	-	■
	Black door mirrors, outer door handles and tailgate handles	■	-	-	-	-
	Colour-keyed door mirrors, outer door handles and tailgate handles	-	■	■	■	■
	Laminated windshield green glass	■	■	■	■	■
	Tailgate window green glass with hot wire	■	■ 3-door	■ 3-door	■ 3-door	■ 3-door
	Tailgate window privacy glass with hot wire (5-door only)	-	■	■	■	■
	Rear door and rear quarter window privacy glass (5-door only)	-	-	■	-	■
	Roof antenna	■	■	■	■	■
	"Mitsubishi" badge, "Colt" badge and chrome three-diamond mark on rear	■	■	■	■	-
	"Mitsubishi" badge, "Colt" badge, "Ralliart" badge and chrome three-diamond mark on rear	-	-	-	-	■
	Ralliart logo on front grille	-	-	-	-	■
	Entry guard labelled with "Ralliart"	-	-	-	-	■
	Black door sashes (or body colour in case of Sparkling Black)	■	■	■	■	■
	Black front bumper centre part (or body colour in case of Sparkling Black)	■	■	■	■	■
	Colour-keyed rear roof spoiler	-	-	■	-	■
	Colour-keyed side airdams	-	-	-	-	■
	Sporty exhaust finisher	-	-	-	-	■
	12 year anti-corrosion	■	■	■	■	■
	Interior	Urethane steering wheel	■	-	-	-
Leather wrapped leather steering wheel, including leather wrapped shift knob for models with manual transmission		-	■	■	■	■
Silver accents on steering wheel		■	■	■	■	■
Glove box with pen, coin and ticket holder		■	■	■	■	■
Floor console with cupholders (x2 front / x1 rear)		■	■	■	■	■
LCD trip meter in combination meter		■	■	■	■	■
Silver rings around combination meter		-	■	■	■	■
Silver parking brake switch		-	-	-	-	■
Aluminium pedals (clutch, brake and acceleration)		-	-	-	-	■
Accessory socket (12V)		■	■	■	■	■
Front (moulded) door pockets		■	■	■	■	■
Black interior door handles		■	-	-	-	-
Silver interior door handles		-	■	■	■	■

STANDARD AND OPTIONAL EQUIPMENT

■ Standard ○ Optional - Not available

Model		INFORM	INVITE	INTENSE	INSTYLE	RALLIART
	Driver's and front passenger's sunvisors with vanity mirrors	■	■	■	■	■
	1 retractable assist grip (front passenger's side) (3-door only)	■	■	■	■	-
	3 retractable assist grips (front passenger's side and rear) and 2 rear coat hangers (5-door only)	■	■	■	■	-
	4 retractable assist grips and 2 rear coat hangers	-	-	-	-	■
	Tonneau cover	■	■	■	■	■
	Moveable load floor (for 2 levels floor including a fully flat loading surface) (5-door only)	■	■	■	■	■
Comfort	Air-conditioning, semi automatic (with cooled glove box for LHD)	■	■	■	■	■
	Electronic power steering (rack-and-pinion steering system)	■	■	■	■	■
	Front power windows with one-touch auto down function for driver's window	■	■	■	■	■
	Rear power windows (5-door only)	-	-	-	■	-
	Remote centre door lock	■	■	■	■	■
	Tilt steering column	■	■	■	■	■
	Towing bar provision	■	■	■	■	■
	Tailgate inside grip	■	■	■	■	■
	Pollen filter (dust)	■	■	■	■	■
	Cruise control (including remote control switches on steering wheel) (excluding 1.1 litre)	-	■	■	■	■
	Gear shift indicator	■	■	■	■	■
Audio and Communication	Radio LW/MW/FM, CD player with MP3 functionality and auxiliary plug	-	■	■	■	■
	Audio remote control switches on steering wheel	-	■	■	■	■
	4 speakers (front and rear)	■	-	-	-	-
	6 speakers (front, rear and tweeters)	-	■	■	■	■
Seats	Full fabric seats	■	■	■	-	-
	Leather seats	-	-	-	■	-
	Sporty fabric/artificial leather seats with sporty shape for front seats	-	-	-	-	■
	Seatback pocket (on front passenger's seat)	-	■	■	-	-
	Seatback pockets (on driver's and front passenger's seats)	-	-	-	■	■
	Fully flat folding front seats (5-door only)	■	■	■	■	-
	Sliding and reclining adjusters (front seats)	■	■	■	■	■
	2 height-adjustable sewn headrests (front)	■	■	■	■	■
	2 height-adjustable sewn headrests (rear)	■	-	-	-	-
	3 height-adjustable sewn headrests (rear)	-	■	■	■	■
	Seat heater (driver's and front passenger's seats)	-	-	-	■	-
	Height adjuster (driver's seat)	■	■	■	■	■
	Height adjuster (front passenger's seat)	-	-	-	■	-
	Split back 60:40 (rear)	■	■	■	■	■
	Split cushion 60:40 (rear)	■	■	■	■	■
	Split folding and tumbling (rear)	■	■	■	■	■
Light and Visibility	Clear halogen headlamps with silver extension	■	■	■	■	■
	Auto-light	-	-	■	■	■
	Rain sensor	-	-	■	■	■
	Headlamp levelling device	■	■	■	■	■
	Front turning lamps with amber lens and side turning lamps with clear lens on fender	■	■	■	■	■
	Front variable and rear intermittent wipers and washers	■	■	■	■	■
	Front fog lamps	-	-	■	■	■
	Rear fog lamps	■	■	■	■	■
	Electric and heated door mirrors with aspheric type (LHD only) for driver's side	■	■	■	■	■
	Inside rear view mirror (day-night and adhesive type)	■	■	■	■	■
	Room lamp with map lamp	■	■	■	■	■
	Cargo room lamp	■	■	■	■	■
	"Coming home" light	■	■	■	■	■

EQUIPMENT HIGHLIGHTS



- 1 Cooled glove box
- 2 Centre panel
- 3 Leather wrapped steering wheel with remote control switches for audio and cruise control
- 4 Front fog lamps
- 5 15" alloy wheel
- 6 Dark grey 16" alloy wheel for Colt Ralliart
- 7 Rain sensor
- 8 Sporty combination meter for Colt Ralliart



TECHNICAL SPECIFICATIONS

■ Standard - Not available

		1.1 litre DOHC		1.3 litre MIVEC DOHC			1.5 litre MIVEC DOHC	1.5 litre MIVEC DOHC Intercooled Turbocharger
		5-speed Manual Transmission	5-speed Manual Transmission	Flex Fuel	6-speed Allshift ¹⁾	5-speed Manual Transmission	5-speed Manual Transmission	
INFORM		■	■	-	-	-	-	
INVITE		■	■	■	■	-	-	
INTENSE		-	■	-	■	■	-	
INSTYLE		-	■	-	■	■	-	
RALLIART		-	-	-	-	-	■	
Engine								
Emission level		EU STEP 4		EU STEP 4			EU STEP 4	EU STEP 4
Total displacement	cc	1124		1332			1499	1468
Max. output (EEC net)	kW(hp)/rpm	55(75)/6000		70(95)/6000			80(109)/6000	110(150)/6000
Max. torque (EEC net)	Nm/rpm	100/4000		125/4000			145/4000	210/3500
Fuel system								
Fuel supply equipment		ECI-MULTI		ECI-MULTI			ECI-MULTI	ECI-MULTI
Fuel type (octane)		Unleaded/RON95		Unleaded/RON95	Unleaded/RON95 or Ethanol E85	Unleaded/RON95	Unleaded/RON95	Unleaded/RON95
Fuel tank capacity	lit	47		47			47	47
Performance								
Acceleration 5-door (0-100 km/h)	sec	13.2		11.1		12.0	10.0	7.6
Acceleration 3-door (0-100 km/h)	sec	12.8		11.0		11.8	9.8	7.4
Max. speed ²⁾	km/h	162		178	180		186	210
Minimum turning radius (wall to wall)	m	5.4		5.4			5.4	5.4
Fuel consumption ³⁾								
Urban	lit/100 km	7.0		7.4		7.3	8.0	8.6
Extra urban	lit/100 km	4.6		4.8		4.6	5.1	5.7
Combined	lit/100 km	5.5		5.8		5.6	6.2	6.9
CO₂ ³⁾								
Urban	g/km	165		175		172	190	203
Extra urban	g/km	110		115		110	122	136
Combined	g/km	130		138		133	148	161
Towing capacity 5-door	with brake kg	750		1000			1000	1000
Towing capacity 3-door	with brake kg	750		750			750	750
Suspension								
Front		McPherson strut						
Rear		Torsion beam						
Brakes								
Front		14" ventilated-disc		14" ventilated-disc			14" ventilated-disc	15" ventilated-disc
Rear		8" drum		8" drum			14" disc	14" disc
Loads								
Kerb weight 5-door ⁴⁾	kg	965		970		975	990	1090
Kerb weight 3-door ⁴⁾	kg	935		940		945	960	1060
Gross vehicle weight 5-door	kg	1450		1460		1465	1470	1550
Gross vehicle weight 3-door	kg	1420		1430		1435	1440	1520

¹⁾ Allshift Automated Manual Transmission (all figures for Allshift are measured in the manual mode)

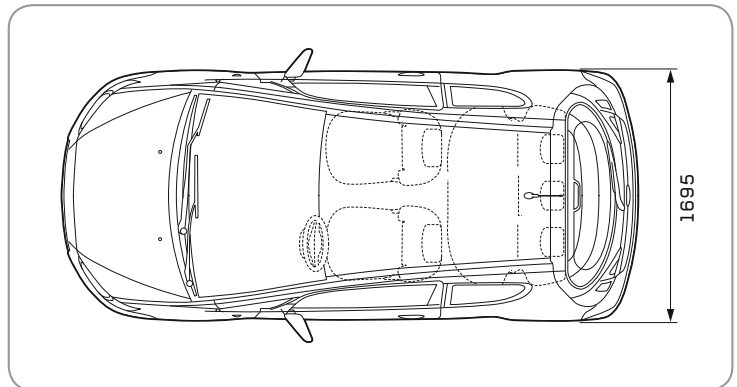
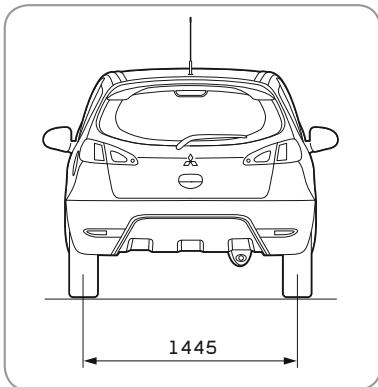
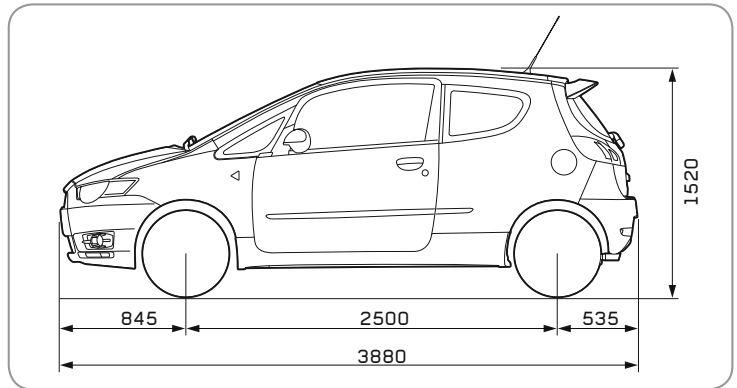
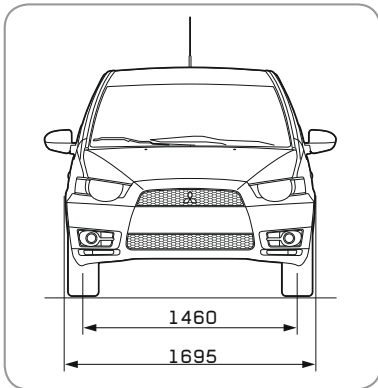
²⁾ Measured by Mitsubishi Motors Corporation

³⁾ Fuel consumption and CO₂ values vary depending on equipment level. Flex fuel figures are tentative.

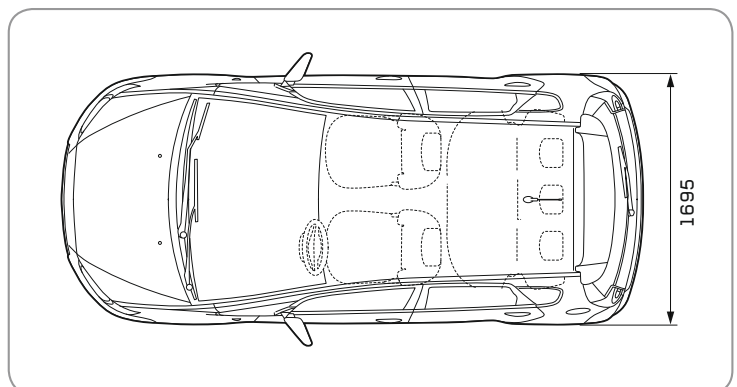
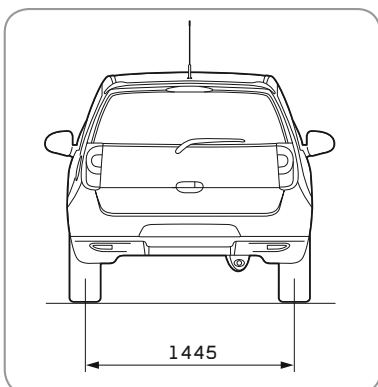
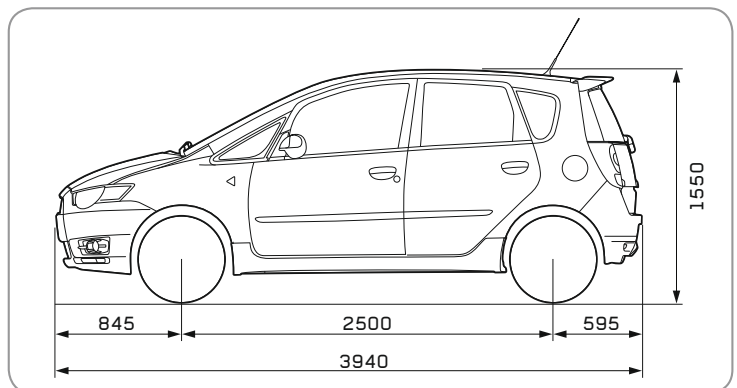
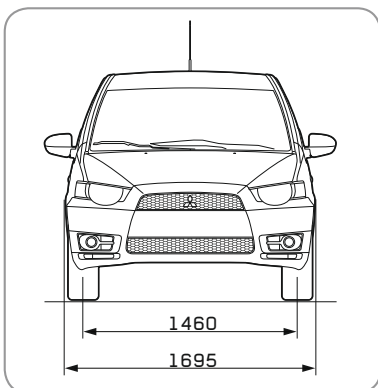
⁴⁾ Vehicle weight including all liquids, fuel tank filled up to 90%, spare tyre and jack but excluding driver (75kg)

DIMENSIONAL VIEWS

3-door



5-door



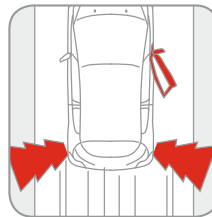
All measurements in millimetres

ETACS, YOUR PERSONALIZED ASSISTANT

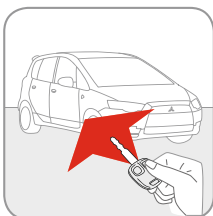
Mitsubishi Motors' customizable Electronic Total Automobile Control System (ETACS) allows you to personalize the operation of a wide range of features for added safety, comfort and convenience. Certain ETACS comfort functions can be customized either by yourself or by your Mitsubishi Motors dealer.



AUTO-LIGHT AND RAIN SENSOR
The auto-light sensor automatically activates the headlamps as soon as it gets dark. The rain sensor activates the windshield wipers automatically when moisture is detected on the windshield.



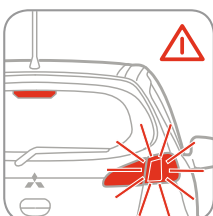
OPEN DOOR ALARM
If any door is still open while the car is moving, a buzzer will alert you (AMT only).



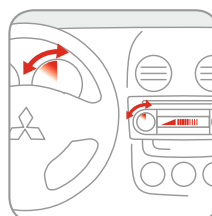
KEYLESS ENTRY SYSTEM
Makes it possible to lock and unlock the doors and trunk with the remote key.



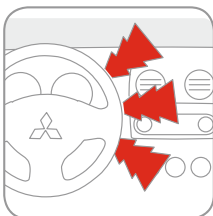
COMING HOME LIGHTS
To make sure you get home safely, Colt can guide you with its "coming home" light function. It is even possible to set for how long the lights stay on.



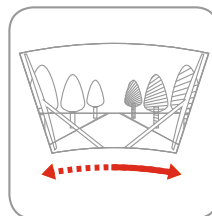
EMERGENCY STOP SIGNAL SYSTEM (ESS)
When maximum pressure is applied to the brake pedal as it is in an emergency Colt automatically activates the hazard lights, warning following vehicles of the situation.



SPEED COMPENSATED VOLUME FUNCTION
This function automatically adjusts the volume of the audio system to compensate for changes in road speed and noise. 6 patterns of adjustment are available to match your preferences.



INDICATOR WITH COMFORT MODE
When the indicator lever is tapped briefly, the indicator will flash three times and then stop - allowing you to concentrate on manoeuvring and therefore making driving easier and safer.



SPEED SENSITIVE WIPERS
When the front wiper is set to intermittent, a speed sensor changes the wiper interval to suit the car's speed for better visibility.